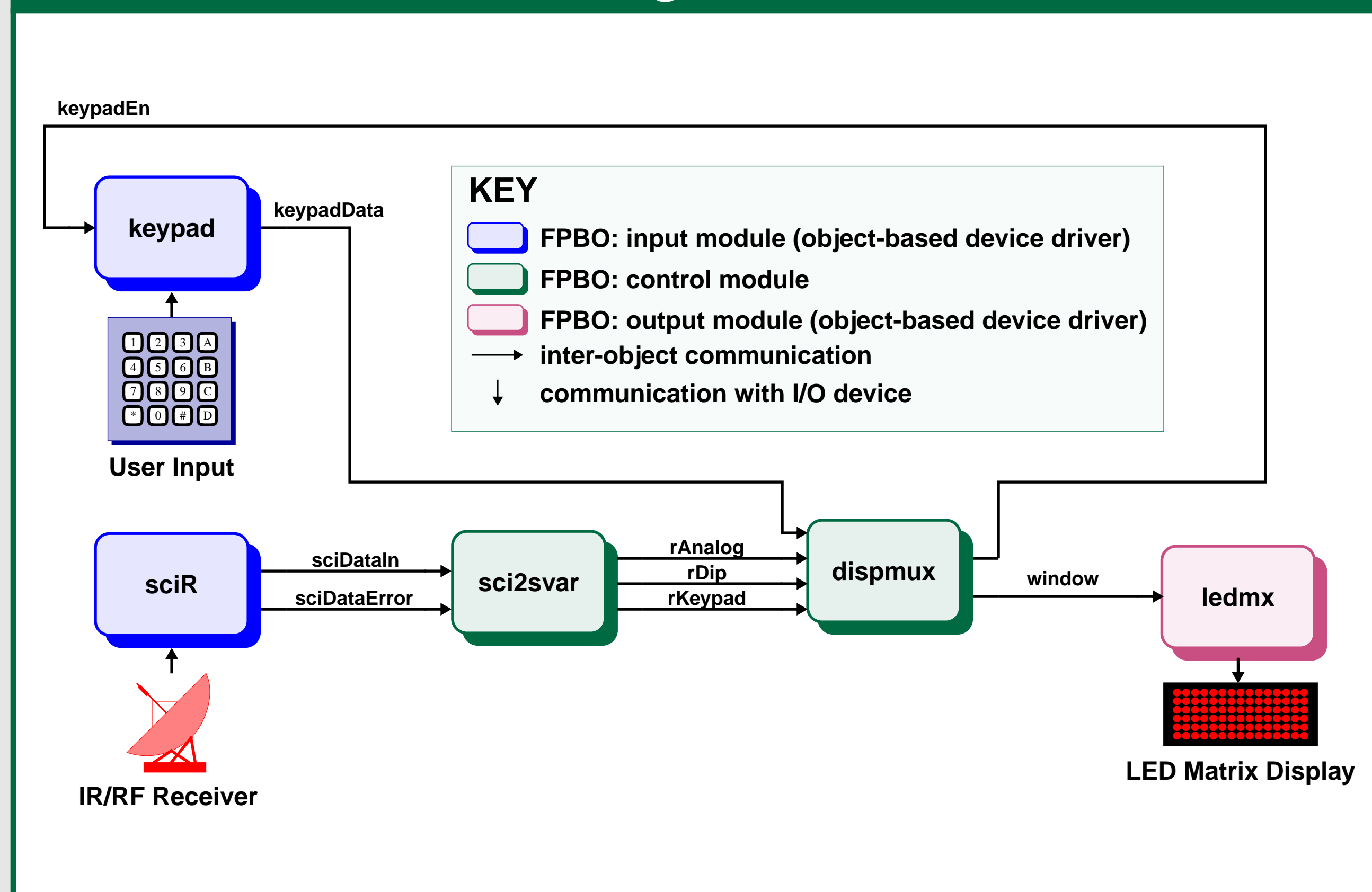




Data Flow Diagram for Receiver



Message Key

Press a key on the receiver keypad:

0 Message (*Welcome...*)

1 Force Sensing Resistor 1 Value (small)

2 Force Sensing Resistor 2 Value (large)

3 Thermistor Value

4 Photoresistor Value

5 Potentiometer Value

6 [add new sensor here]

7 [add new sensor here]

8 [add new sensor here]

9 DIP Switch Value

A Transmitter Keypad Value

B [add new sensor here]

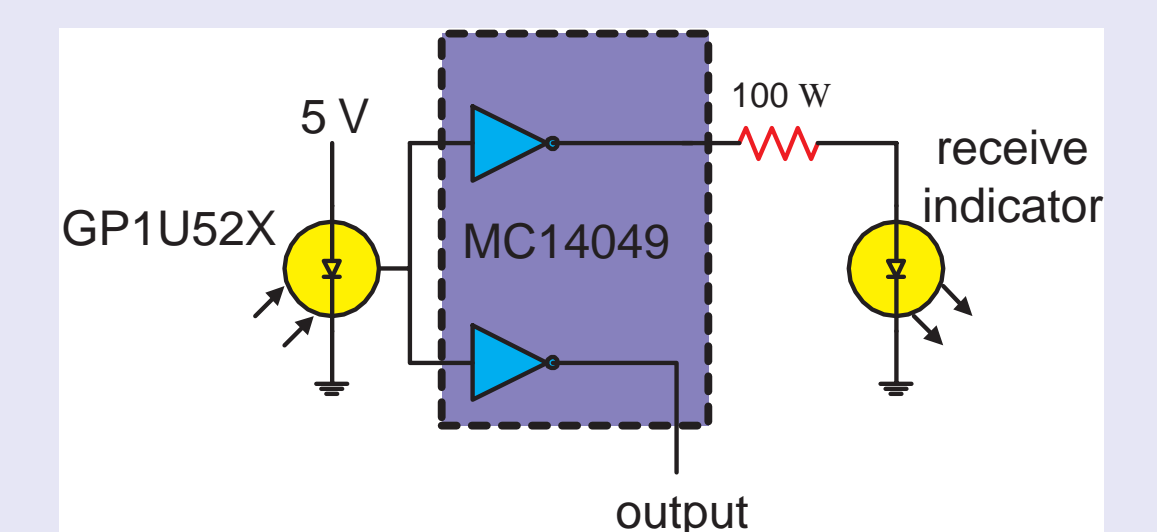
C [add new sensor here]

D Message (*Thanks...*)

[Enable Scrolling]

* [Disable Scrolling]

IR Receiver



Receiver can be used with either IR transmitter

RF Receiver

