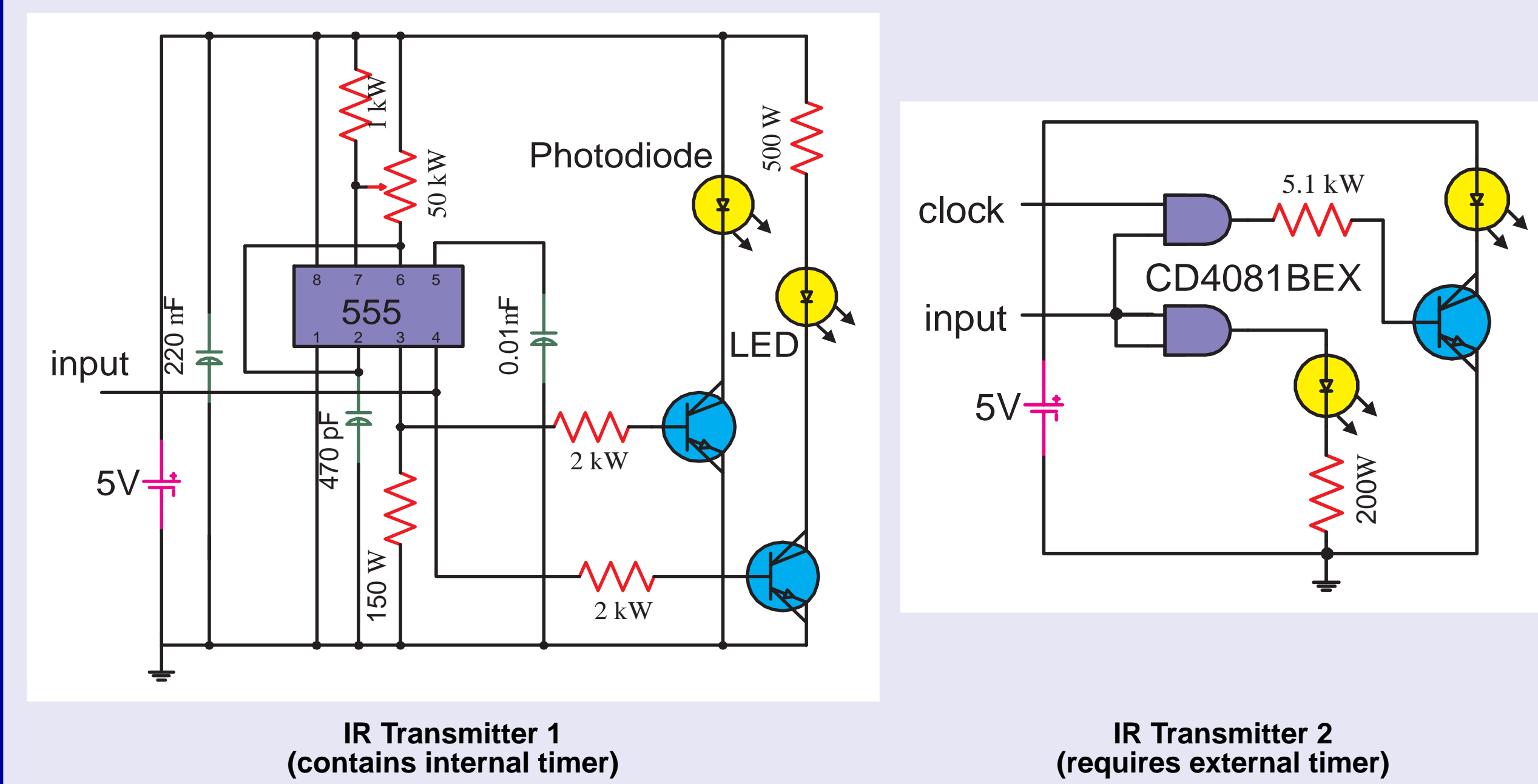


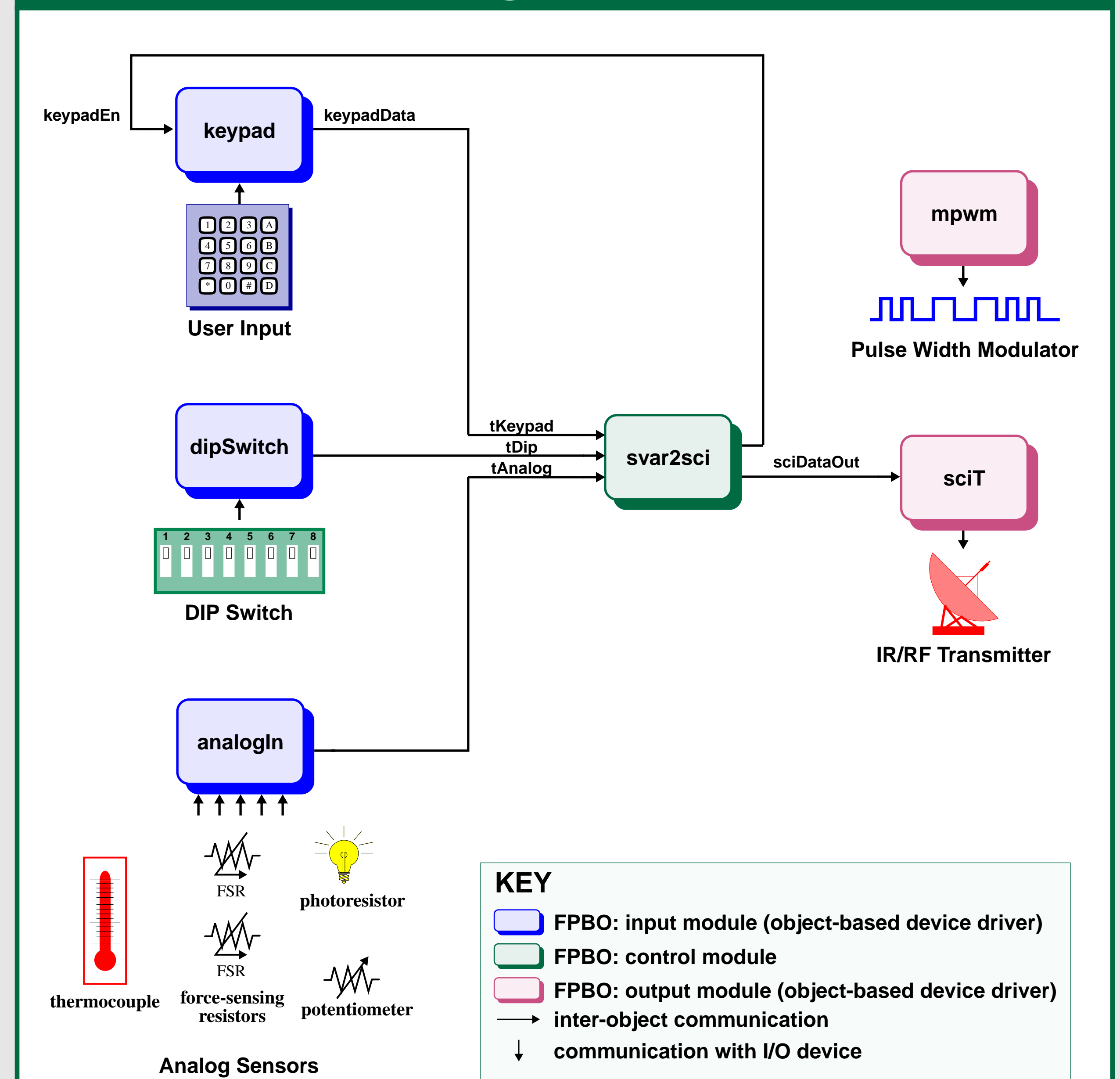
Circuit Diagrams for IR Transmitters



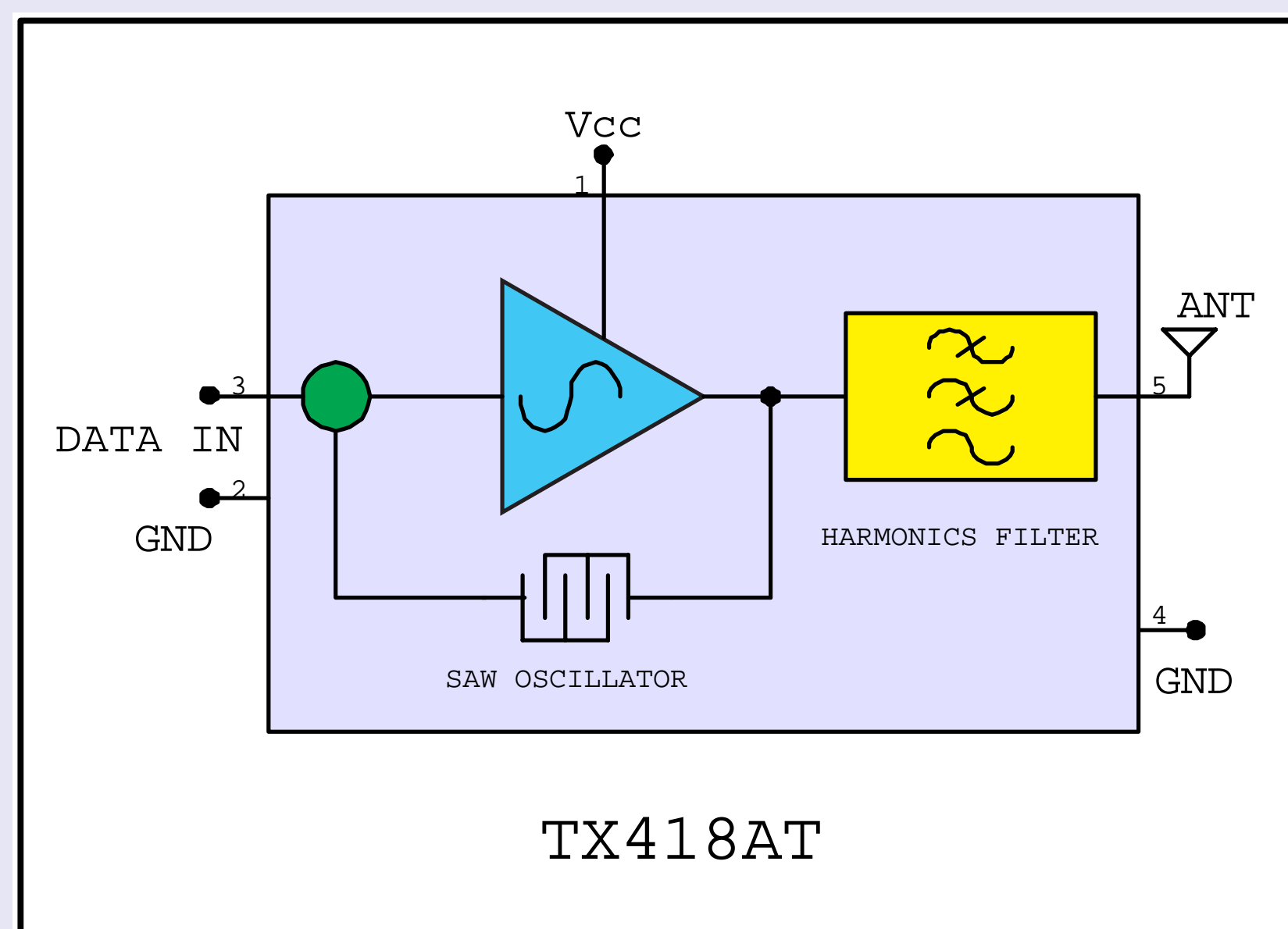
Sample Applications for Remote Data Acquisition

- Home security systems
- Traffic management
- Monitoring of structural integrity (i.e., bridges, buildings, etc.)
- Automotive (wireless CAN)
- Smart dust
- Remote meter reading (i.e., parking, utilities, etc.)

Data Flow Diagram for Transmitter



Circuit Diagram for RF Transmitter



DEMONSTRATION